



SEA

S.E.A (UK) Limited,
 Unit 6A Olton Wharf (off Richmond Road)
 Olton, Solihull.
 B92 7RN
 Tele: 0121 706 9629, Fax: 0121 764 5603
 Email: SALES@SEAUKLTD.CO.UK
 www.seaukltd.co.uk



SIGNAL BOX

FITTING AND CONNECTION INSTRUCTIONS

SIGNAL BOX

TWO-CHANNEL RECEIVER 800 USERS

Freq. 433.920 Mhz (Code 23120400)

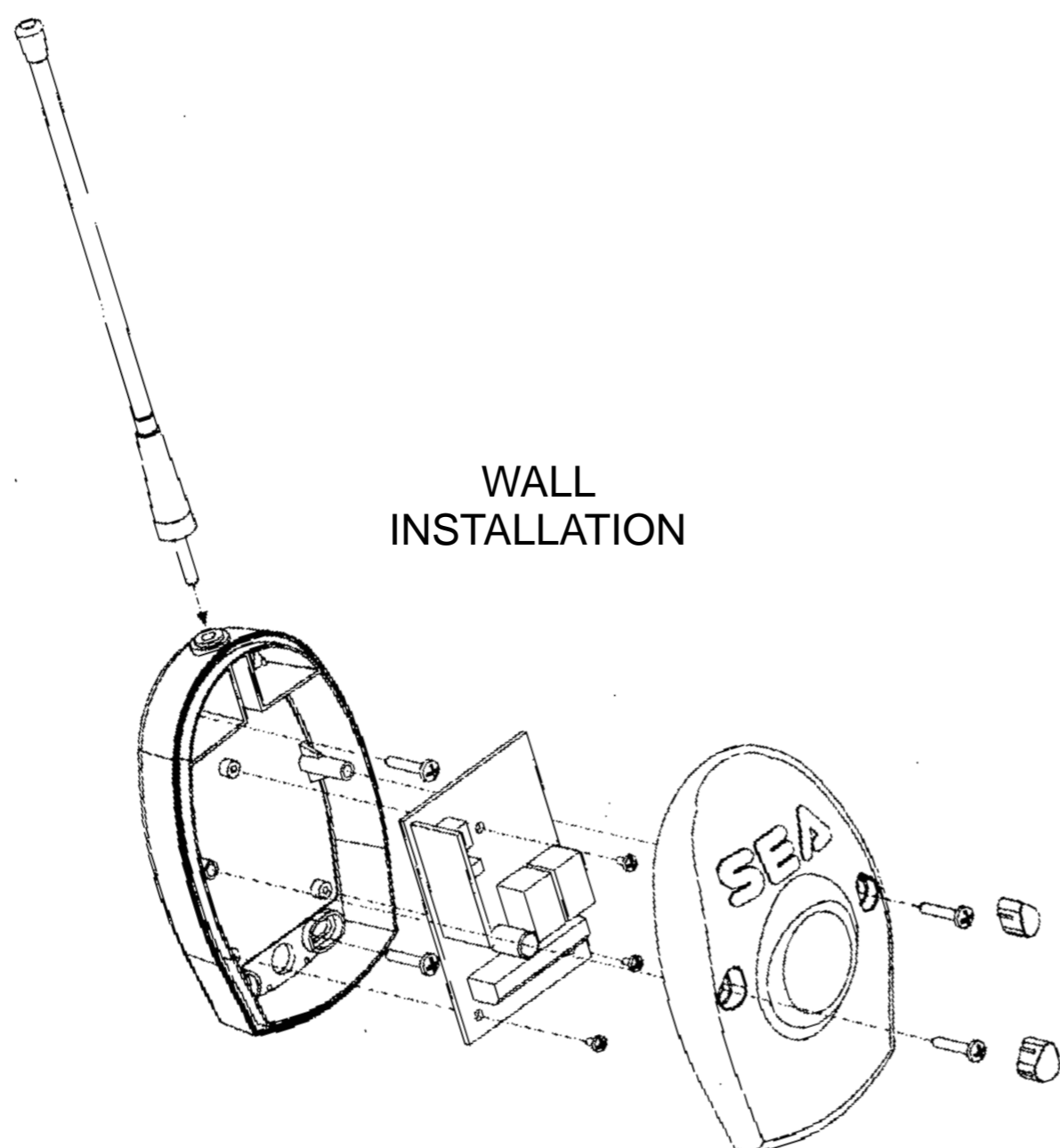
Freq. 868.300 Mhz (Code 23120405)

Generalities

The 433.920 Mhz and/or 868.300 Mhz receiver module (RX) is compatible with the following SEA transmitters: **SMART** series, **HEAD** series, **HEAD EASY COPY** series.

Module Receiver Package Content:

- Electronic circuit
- Plastic container
- Antenna
- Instructions
- Accessories for installation



WALL
 INSTALLATION

Radio control learning on Channel 1

- Push P1 button to have access to the Programming modality
- Ch1 led will switch on
- Push the selected button on the transmitter
- Ch1 led will flash twice to confirm the memorisation and it will stay switched on until it will receiver a new code (other transmitter).
- Memorise other radio controls or push P1 twice to exit from the Programming modality.

Radio control learning on Channel 2

- Push P1 button TWICE to have access to the Programming modality
- Ch2 led will switch on
- Push the selected button on the transmitter
- Ch2 led will flash twice to confirm the memorisation and it will stay switched on until it will receiver a new code (other transmitter).
- Memorise other radio controls or push P1 twice to exit from the Programming modality.

Notice

- By using DIP SWITCH radio controls programmed with the same codes it is sufficient to memorise only one transmitter.
- If a code which is already inside the memory of the receiver is programmed, it will be deleted. In the programming phase be careful to send only one impulse with the transmitter.

SPARE PARTS

To obtain spare part contact SEA(UK)LTD

Technical Specifications

| | |
|---|--------------------------------|
| Power supply: | 12/24Vac/Vdc |
| Absorption: | 15mA without working |
| Receiving frequency: | 433.920 Mhz or 868.300 Mhz |
| Sensitivity: | -100dB |
| Code: | 64 bit digital or dip switch |
| Number of codes which can be memorised: | 800 |
| Number of channels: | 2 |
| Ch1 Output: | N.O. Free Contact |
| Ch2 Output: | N.O./N.C. Free Contact |
| Working Temperature: | -15°C/+60°C |
| Storage Temperature: | -40°C/+80°C |
| Dimensions: | 46x65mm |
| Humidity: | from 5% to 90% no condensation |

Radio control deleting

- By pushing P1 button, select the channel where the radio control has been memorised (Ch1 or Ch2 led switched on).
- Push the button which must be deleted on the radio control.
- The led will flash four times to confirm the deleting.
- Push P1 or wait 10 seconds to exit from the deleting programming (leds switched off).

Deleting of the whole memory

- Push P1 button three times. Both leds will switch on.
- Push P1 button and keep it pushed within three seconds
- Both leds will start to flash (DELETING)
- Keeping P1 pushed, wait until the leds switch off (about 10 seconds)



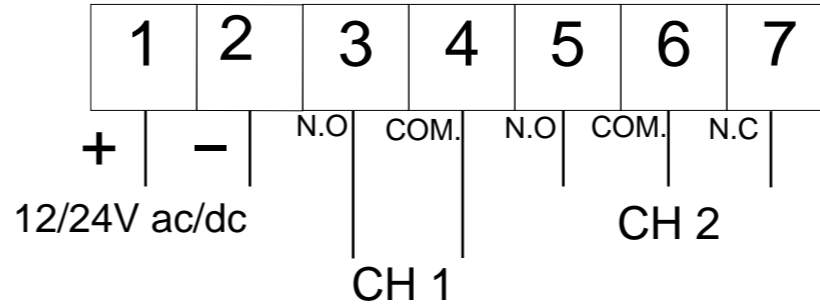
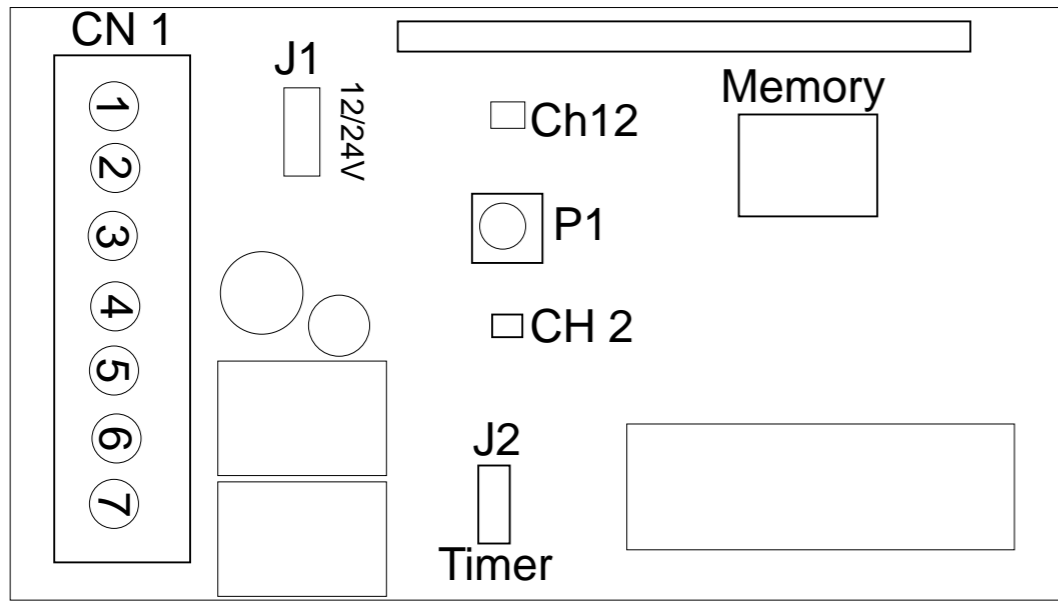
SEA

S.E.A (UK) Limited,
 Unit 6A Olton Wharf (off Richmond Road)
 Olton, Solihull.
 B92 7RN
 Tele: 0121 706 9629, Fax: 0121 764 5603
 Email: SALES@SEAUK LTD.CO.UK
 www.seauk ltd.co.uk



SIGNAL BOX

FITTING AND CONNECTION INSTRUCTIONS



POWER SUPPLY SELECTION

J1 connected = 12V ac/dc
 J1 opened = 24V sc/dc

TIMER

J2 Connected = CH2
 2min. timed

DESTINATION OF USE

The 433.920 Mhz and/or 868.300 Mhz receiver has been designed to be used exclusively as a receiver of digital data with a frequency of 433.920 Mhz and/or 868.300 Mhz sent by a radio transmitter from SEA which transmits on the same frequency and which codified to be interfaced with the 433.920 Mhz and/or 868.300 Mhz receiver. The receiver must be used only as a generator of commands to be transmitted to a SEA automation unit for doors, gates and leaves and it must be supplied with safety tension.

SAFETY AND ENVIRONMENTAL COMPATIBILITY

Please dispose of all product and circuit packing material responsibly so not to spoil the environment.

REQUISITES OF CONFORMITY

The 433.920 Mhz and/or 868.300 Mhz receiver conforms to the following:
 1999/5/CE (Direttiva R&TTE)
 ETS 330 683
 ETS 300 220
 EN 60065

STORAGE

| STORAGE TEMPERATURES | |
|-------------------------|-------------------------|
| Tmin | Tmax |
| -40°C | +80°C |
| Humidity _{min} | Humidity _{Max} |
| 5% no condensation | 90% no condensation |

When being transported this product must be properly packaged and handled with care.

DISTRIBUTION COUNTRIES

SEA will sell 433.920 Mhz receiver and or 868.300 Mhz receiver in the EU countries.

MAINTENANCE AND OUT OF SERVICE

The decommission and maintenance of 433.920 Mhz and/or 868.300 Mhz receiver must only be carried out by specialised and authorised personnel.

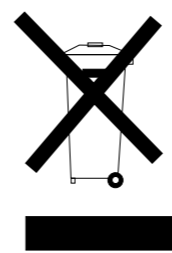
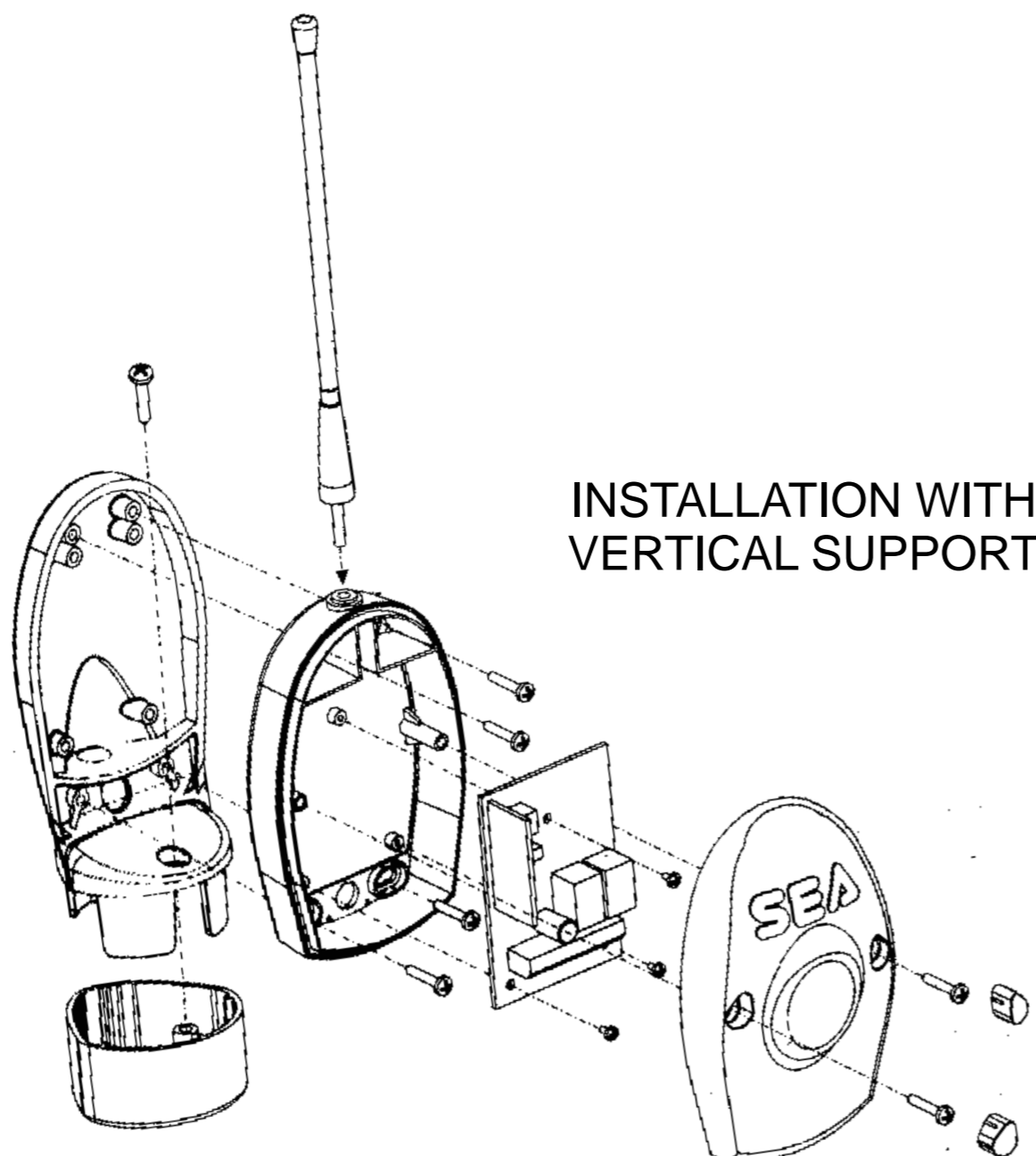
LIMIT OF GUARANTEE

the 433.920 and/or 868.300 Mhz receiver are guaranteed for a period of 24 months. The guarantee period starts from the date stamp printed in the unit. The 433.920 and/or 868.300 Mhz receiver guarantee will be void if the unit has been incorrectly installed, not used for the purpose intended, tampered with or modified in anyway.

The validity of this guarantee only extends to the original purchaser or the unit.

NOTE: THE MANUFACTURER CAN NOT BE DEEMED RESPONSIBLE FOR ANY DAMAGE OR INJURY CAUSED BY IMPROPER USE OF THIS PRODUCT.

SEA reserve the right to do make changes or variations that may be necessary to its product with no obligation to nog give notice.



correct disposal of this product (waste electrical & electronic equipment) - Europe only

(applicable in the European Union and other European countries with separate collection systems)

This marking shown on the product or its literature, indicates that it should not be disposed with other household wastes at the end of its working life. To prevent possible harm to the environment or human health from uncontrolled wastes disposal, please separate this from other types of wastes and recycle it responsibly to promote the sustainable reuse of material resource.

Household users should contact either the retailer where they purchased this product, or their local government office, for details of where and how they can take this item for environmentally safe recycling.